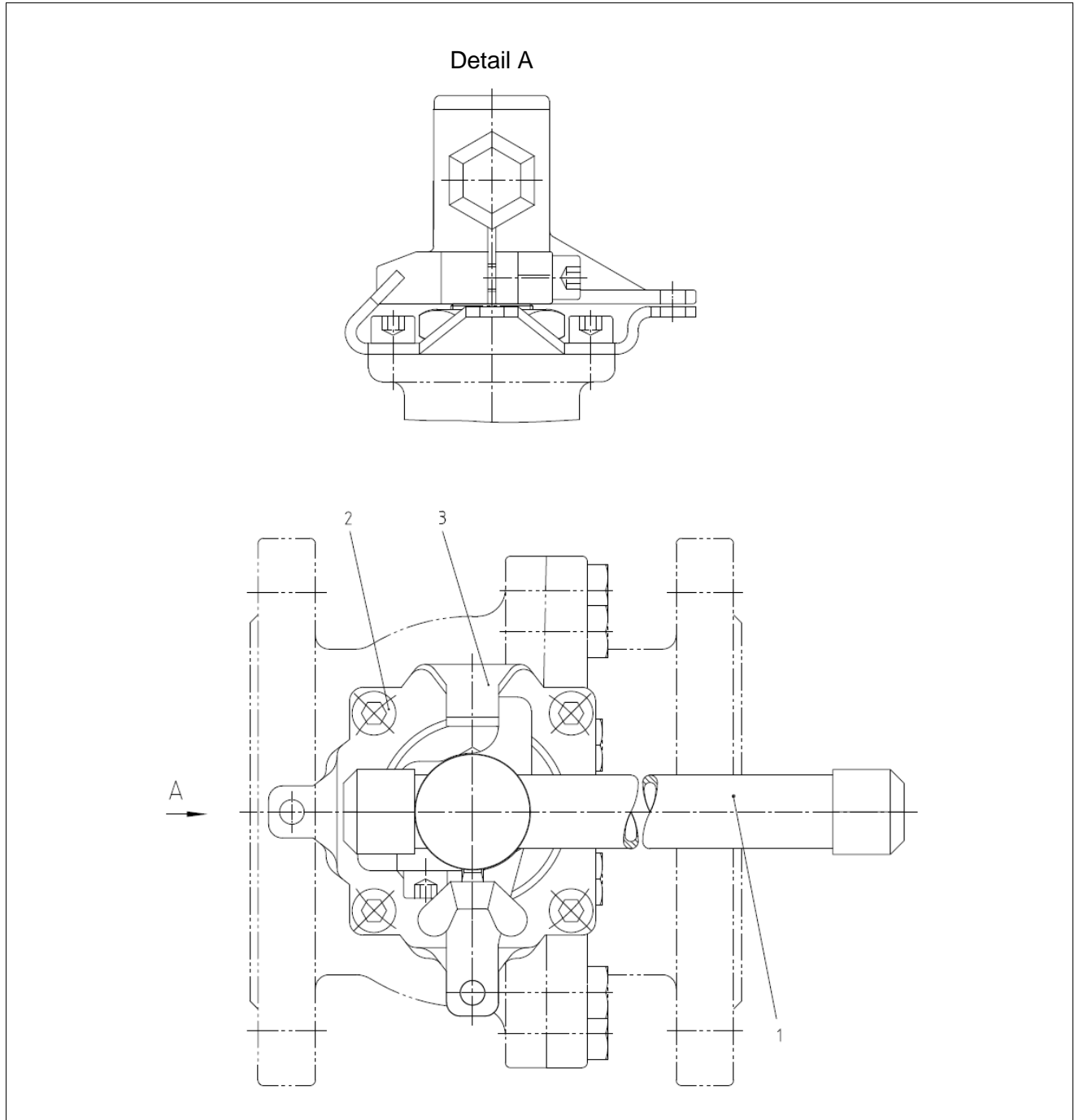


# BALL VALVES INTEC

Locking device

INTEC 30, DN80 - DN150



No.	Part	Material
1	lever unit	1.4408/1.4301/1.4401
2	socket screw	A2-70
3	stopper	1.4301

Lock not included in the delivery

Subject to modification. 02/2018